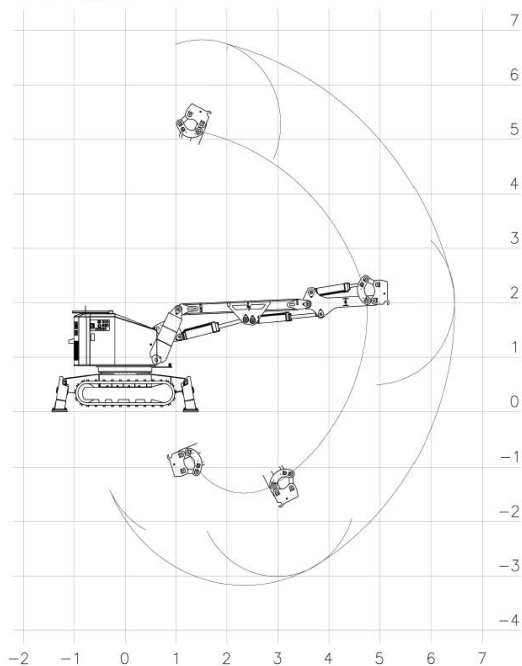
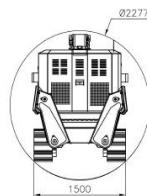
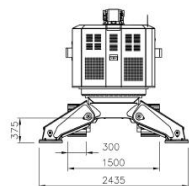
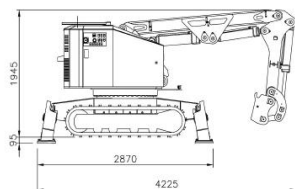


## Range



## Size



## Technical data

<b>Performance</b>	
Slewing speed	20 sec/360°
Transport speed, max.	2 km/h
Incline angle, max.	30°
<b>Hydraulic system</b>	
System pressure, max.	240 bar
Adjustable pressure for tools	0-240 bar
Max. Flow*	110 l/min
<b>Electric motor</b>	
Power**	37 kW
Consumption**	75 A
Starter	Soft
<b>Control system</b>	
Type	Remote control
Signal	Digital
Transmission	Cable /Radio
<b>Weight</b>	
Weight of machine excluding attachment	5000 kg
<b>CE marked</b>	2006/42/CE



[www.ferri-sa.es](http://www.ferri-sa.es)

A Pasaxe 81, Vincios, 36316 Gondomar, SPAIN  
T. 34 986 468 201 F. 34 986 468 011  
[sales@ferri-sa.es](mailto:sales@ferri-sa.es)

INDUSTRIAS



# S2500 ROBOT



Defence  
Fire fighting  
Protection  
Security

A reliable and efficient equipment, ideal for carrying out multiple tasks, even in remote areas and harsh environments.

\*Maximum flow and pressure can not be reached at same time, because of overload hazard for electric motor  
\*\* Valid for 400 V/50Hz

## Defence



### S2500 A multifunction robot called to lead its market in coming years.

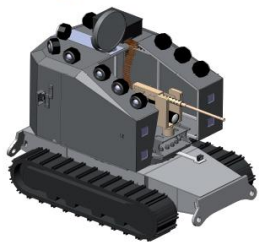
Following INDUSTRIAS FERRI, S.A. policy, its design combines strength, power, maneuverability and reliability, and combines dimensions and weight that makes it versatile and operative in any situation (explosive atmospheres, smoke, small enclosure spaces, etc.). With a reach of nearly 6m and a turning radius of 360° continuous, with the S2500 access to the work area is guaranteed, eliminating unnecessary repositioning.

The S2500 weighs 5000 kg without implement tools, and can handle up to 600 kg. Its power and variety of implements turn the S2500 into a very suitable machine for the demolition of concrete structures, oven cleaning, slag removal, the elimination refractory material at cement and lime kilns, rubble removal, drilling, hose management, loads and other items, at quarries or tunnels, etc.

It is the most powerful and robust robot on the market.

**Customer satisfaction is guaranteed.**

## Security



## Fire fighting



- A compact, robust and powerful robot.
- Suitable for handling a wide range of accessories.
- Development of specific tools according to customer needs.

- Versatile. The same unit can be used for a wide range of applications. Anywhere, even in the remotest places:

- Debris removal
- Demolition
- Drilling
- Handling Hoses
- Load Handling
- Collection of different items
- Fire fighting
- Protection
- Defence
- Security

## Protection

- Operated by remote control. Ideal for carrying out tasks in hazardous environments: explosive atmospheres, toxic gases, possible impacts and/or landslides, etc.

- Many options
  - Artificial vision
  - Autonomus power source
  - ATEX
  - Submersible

